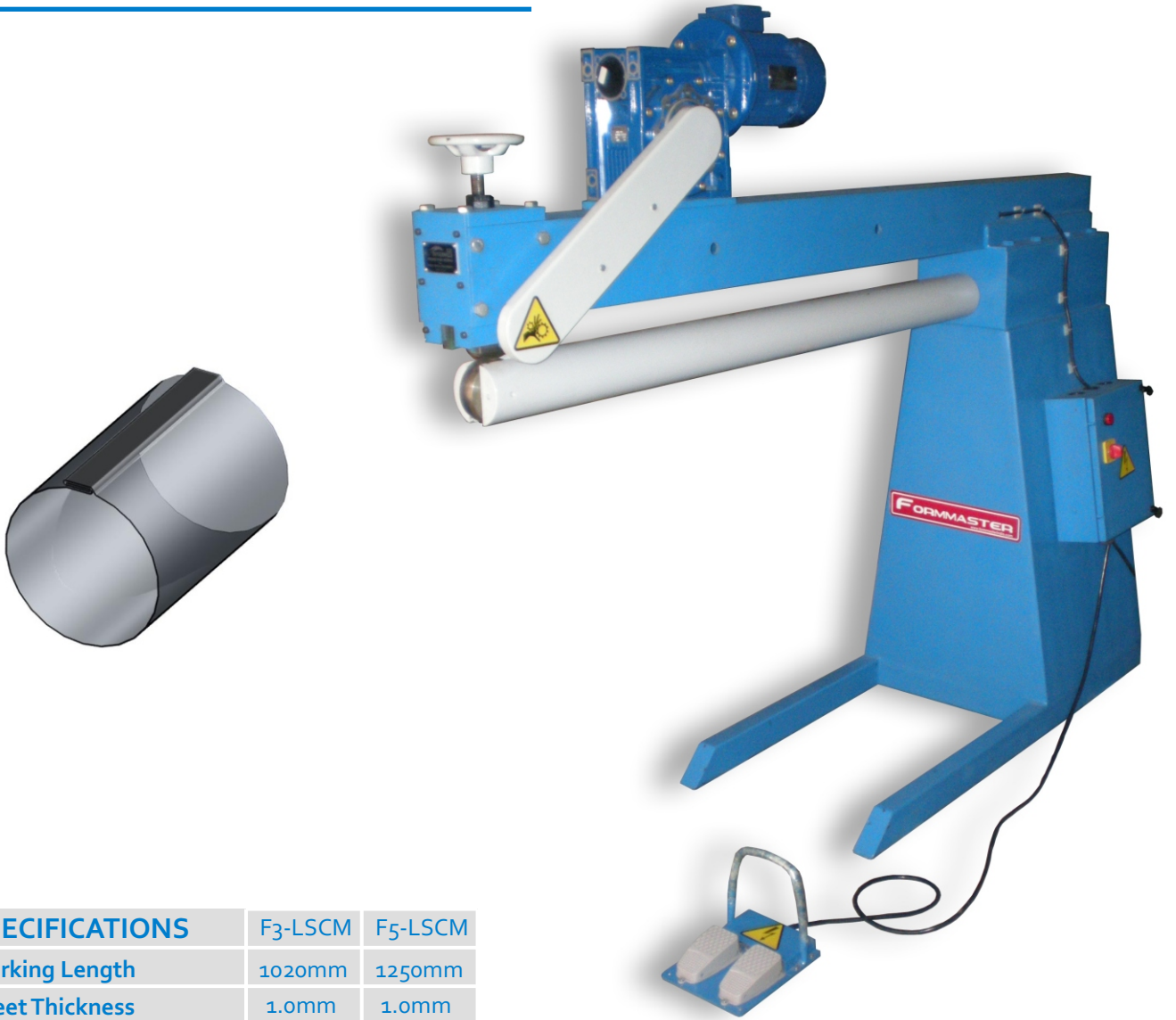


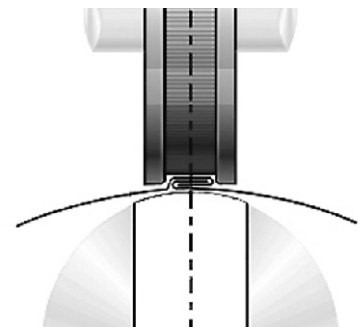
FORMMASTER - LOCK SEAM CLOSING MACHINE



SPECIFICATIONS	F3-LSCM	F5-LSCM
Working Length	1020mm	1250mm
Sheet Thickness	1.0mm	1.0mm

FORMMASTER 'S Lock Seam Closing Machine close seams with widths of 10mm and 12mm on round tubes.

The working length can be doubled, by turning the tube.



MANUFACTURED BY:



CITIZEN ENGINEERING WORKS

Manufacturer of SHEET METAL MACHINERY & ROLL FORMING MACHINES

Address: 10, Amar Industrial Estate, Andheri - Kurla Road, Sakinaka, Mumbai - 400 072, INDIA.

Telephone no.: 91-022-6679 2896/ +91 98679 60169/ +91 98922 56045

Website: www.citizenengworks.com